

Your source for industrial engine excellence.

Natural gas and propane fueled  
**INDUSTRIAL ENGINES**  
that rival diesel equipment.

**5.7L**

The no-compromise equal  
to your 5.7L GM engine.

With the new 5.7L industrial engine from Origin Engines, you won't miss the GM version one bit. Because we've engineered the perfect replacement. The same footprint. The same horsepower and performance. And even greater strength and durability.

**6.2L**

More horsepower. Same engine footprint.

If you've been using the 5.7L GM engine, here's your chance to upgrade power without reconfiguring the footprint of your current application. You'll enjoy the hallmarks of Origin Engines — power, precision and performance over the long haul.

The difference-makers behind every Origin Engine:

- Heavy-duty block; cast and machined in the USA
- High quality materials designed for heavy-duty industrial use
- EPA Certified (2016)
- Engineered for reliability and long life
- Modular design and consistent product offering
- Designed and precision machined to exacting tolerances

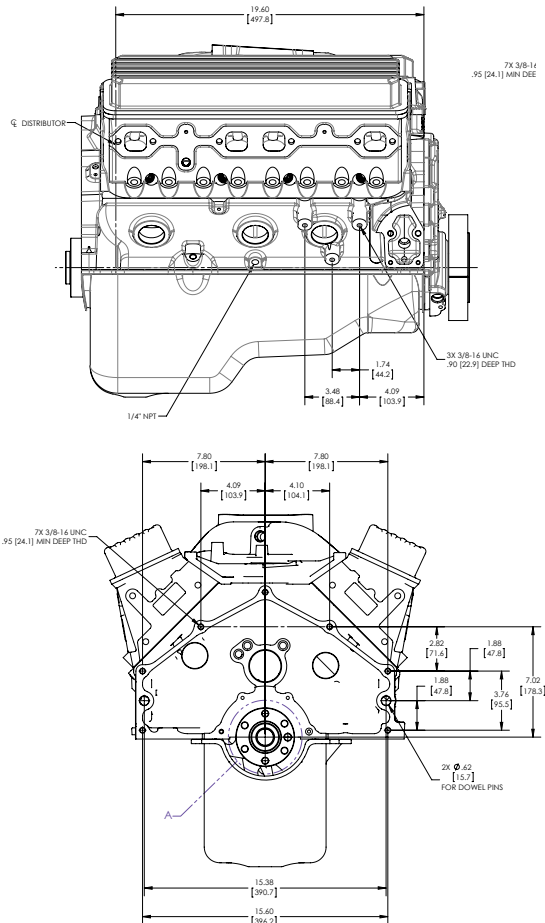
See specifications and power curves on other side.

[www.OriginEngines.com](http://www.OriginEngines.com)

1.877.667.6360 (USA)



# Specifications ■ Power Curves ■ Dimensions



SPECIFICATIONS	5.7L	6.2L
Type	5.7L V-8	6.2L V-8
Displacement	350 cid	383 cid
EPA Certified	2016	2016
Engine Orientation	Longitudinal	Longitudinal
Compression Ratio	9.4:1	9.8:1
Valve Configuration	Overhead valves (2 valves per cylinder)	Overhead valves (2 valves per cylinder)
Bore & Stroke	101.60 mm x 88.39 mm	101.60 mm x 95.25 mm
Main Bearing Caps	4-Bolt Main	4-Bolt Main
Rear Main Seal	1 Piece	1 Piece
Intake Manifold	Dual Plane	Dual Plane
Fuel System	Optional	Optional
Fuel Type	LP & NL	LP & NL
Oil Pan Capacity	5 qt	5 qt
Engine Rotation	Counter-Clockwise	Counter-Clockwise
<b>HORSEPOWER PEAK CORRECTED TO SAEJ1349</b>		
PROPANE	175 hp @ 2800 rpm	195 hp @ 2800 rpm
NATURAL GAS	160 hp @ 2800 rpm	175 hp @ 2800 rpm
<b>TORQUE</b>		
PROPANE	321 lb-ft @ 1800 rpm	364 lb-ft @ 1800 rpm
NATURAL GAS	291 lb-ft @ 1800 rpm	326 lb-ft @ 1800 rpm

Origin Engines is certified to be in compliance with the ISO 9001:2008 Quality Standard.

DISCOVER MORE ABOUT ORIGIN ENGINES

www.OriginEngines.com  
877.667.6360

